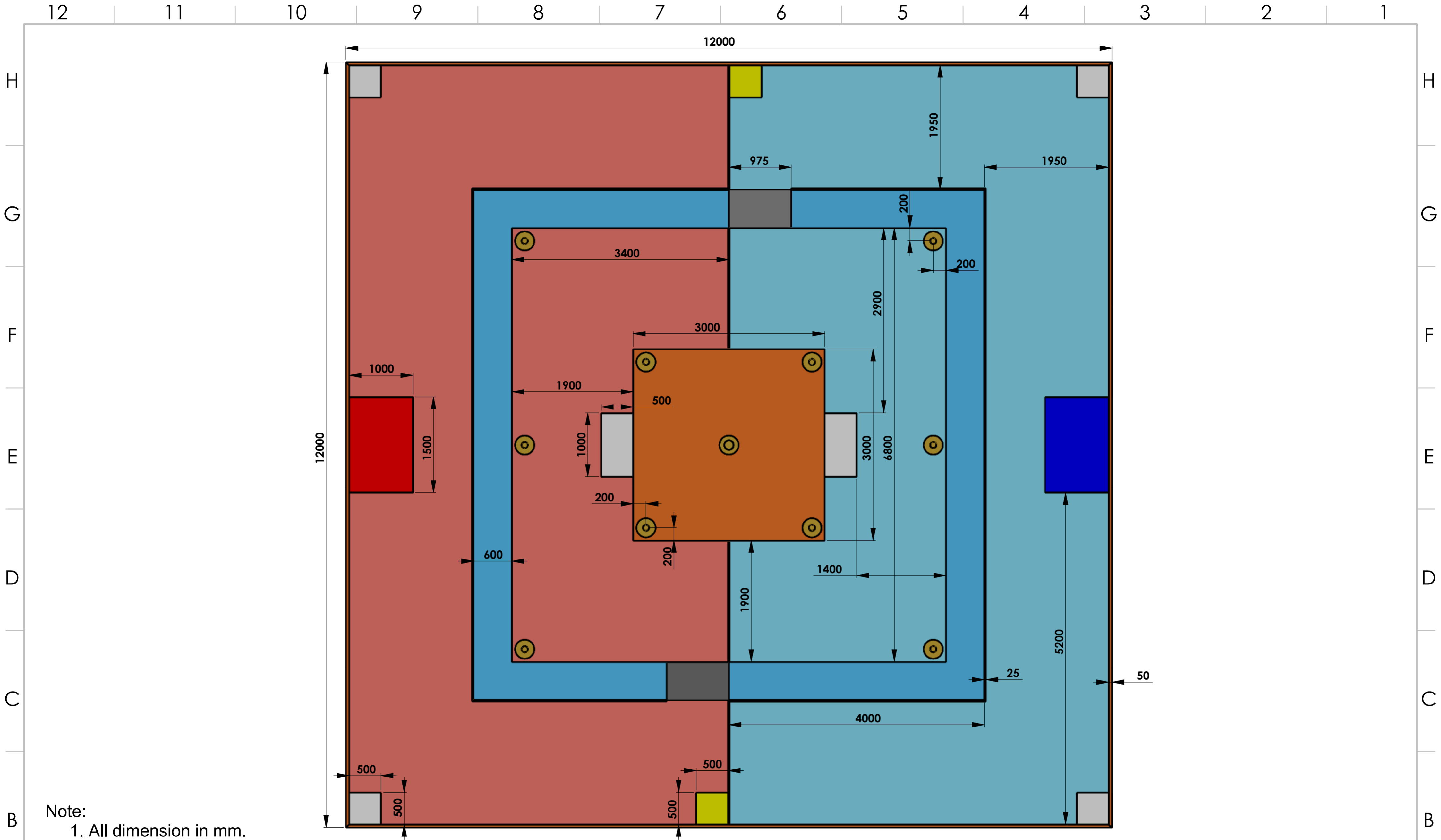
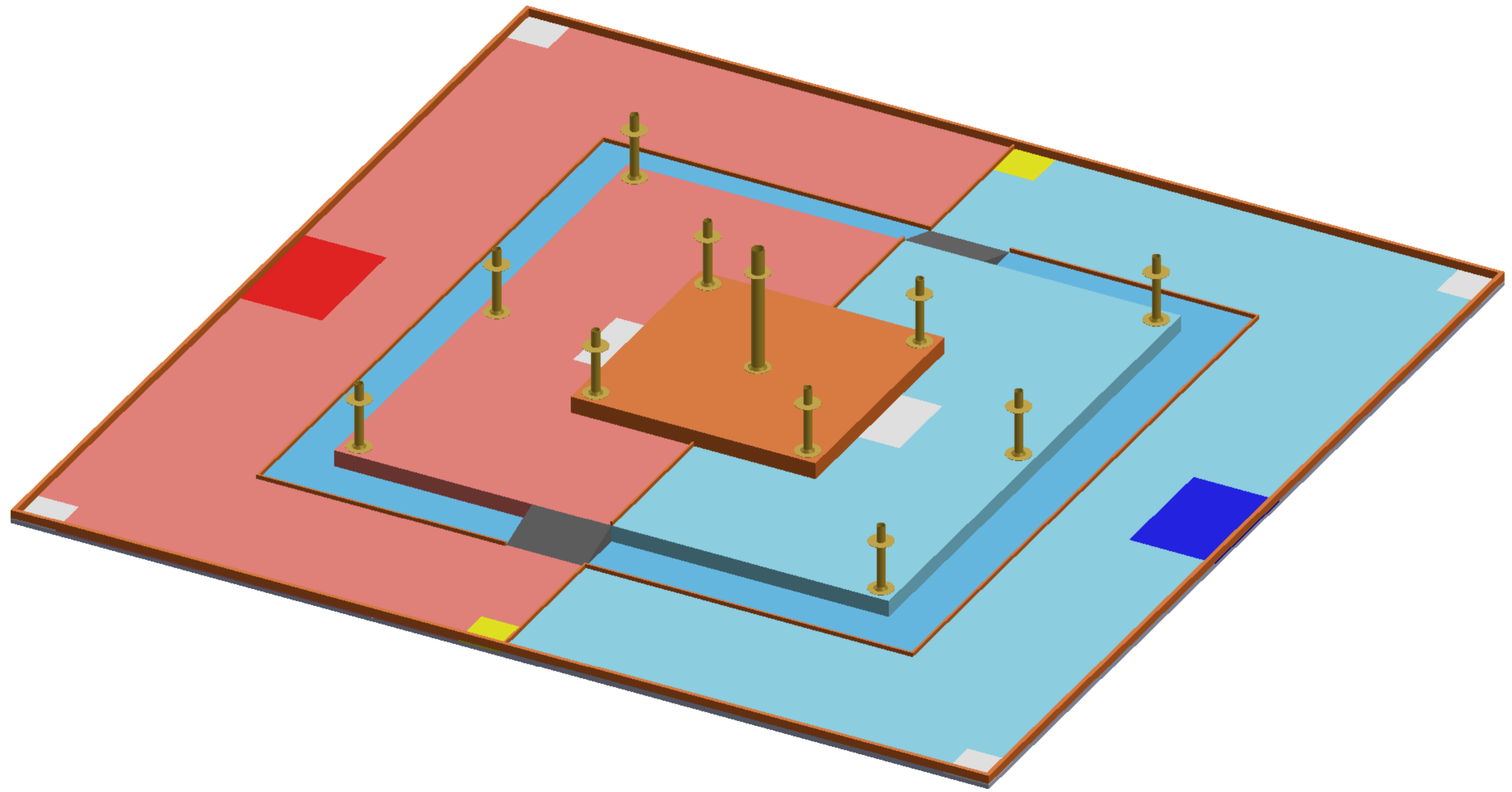


| <u>Project Title</u>                | <u>Drawing Name</u>              | <u>Scale</u> | <u>Date</u> | <u>Drawing By</u>                  | <u>No.</u> |
|-------------------------------------|----------------------------------|--------------|-------------|------------------------------------|------------|
| ABU Asia-Pacific Robot Contest 2023 | Game Field-functional Areas/Zone | 1/38<br>A2   | 2022.07.10  | ABU ROBOCON 2023 Contest Committee | 0.1        |

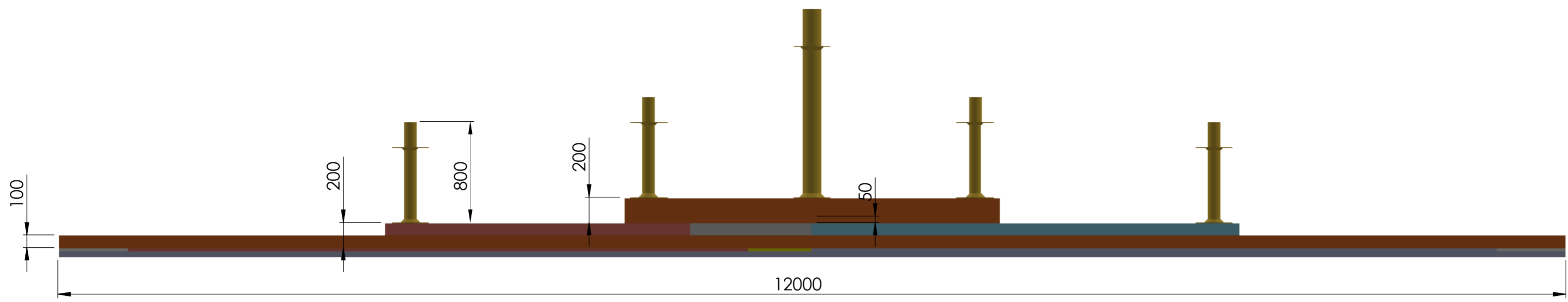


Note:  
1. All dimension in mm.

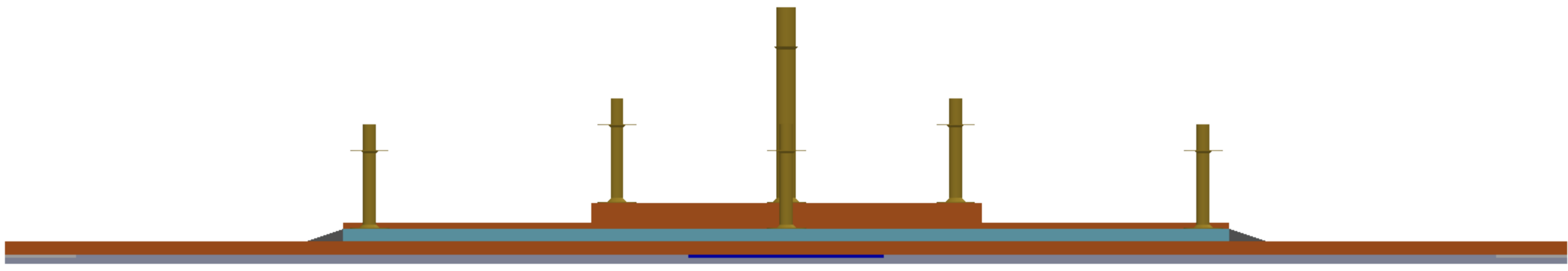
| <u>Project Title</u>                | <u>Drawing Name</u>  | <u>Scale</u> | <u>Date</u> | <u>Drawing By</u>                     | <u>No.</u> |
|-------------------------------------|----------------------|--------------|-------------|---------------------------------------|------------|
| ABU Asia-Pacific Robot Contest 2023 | Game Field- Top View | 1/38<br>A2   | 2022.08.05  | ABU ROBOCON 2023<br>Contest Committee | 0.2        |



| <u>Project Title</u>                | <u>Drawing Name</u>             | <u>Scale</u> | <u>Date</u> | <u>Drawing By</u>                     | <u>No.</u> |
|-------------------------------------|---------------------------------|--------------|-------------|---------------------------------------|------------|
| ABU Asia-Pacific Robot Contest 2023 | Game Field-<br>Perspective View | 1/38<br>A2   | 2022.07.10  | ABU ROBOCON 2023<br>Contest Committee | 0.3        |



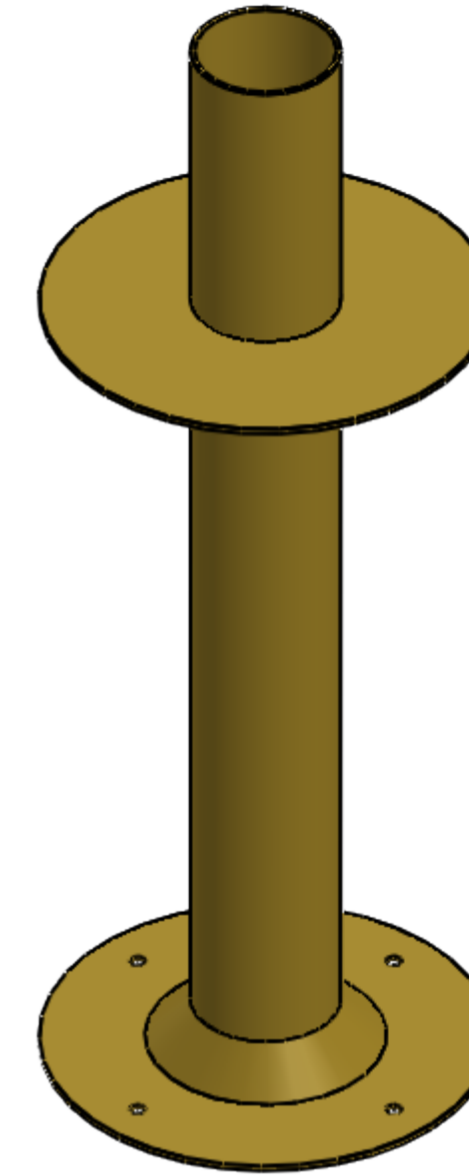
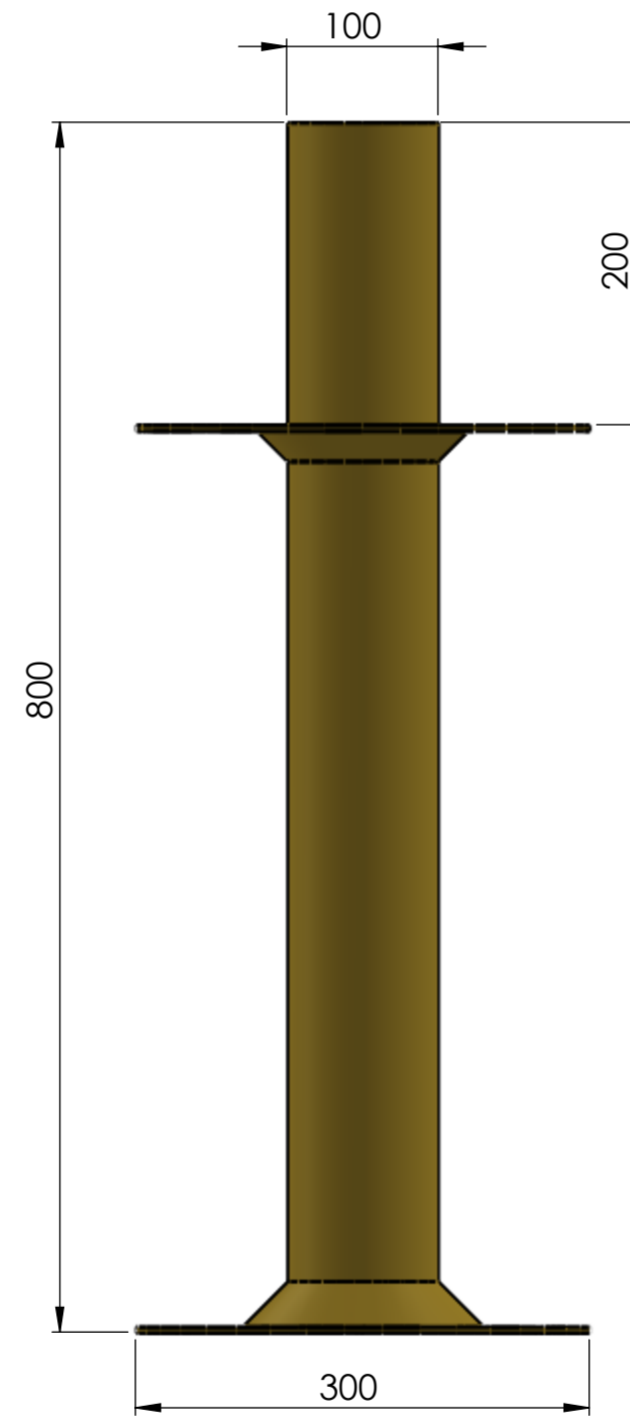
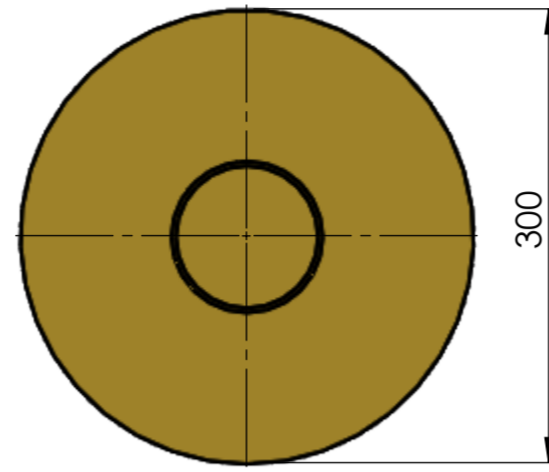
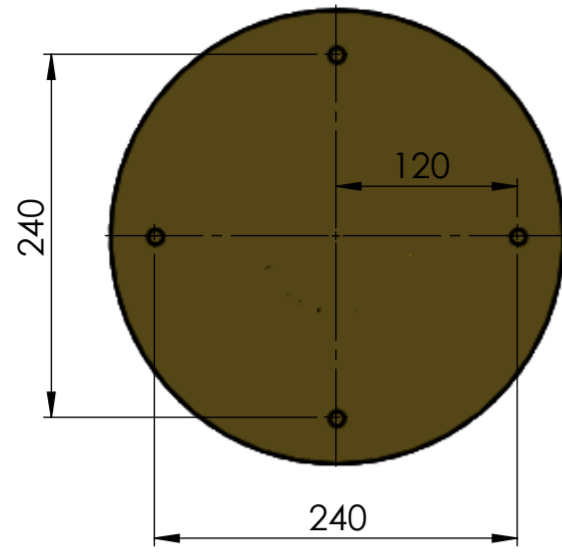
**Front View**



**Right View**

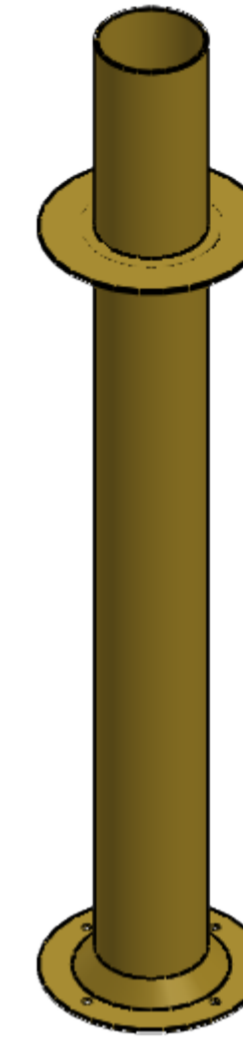
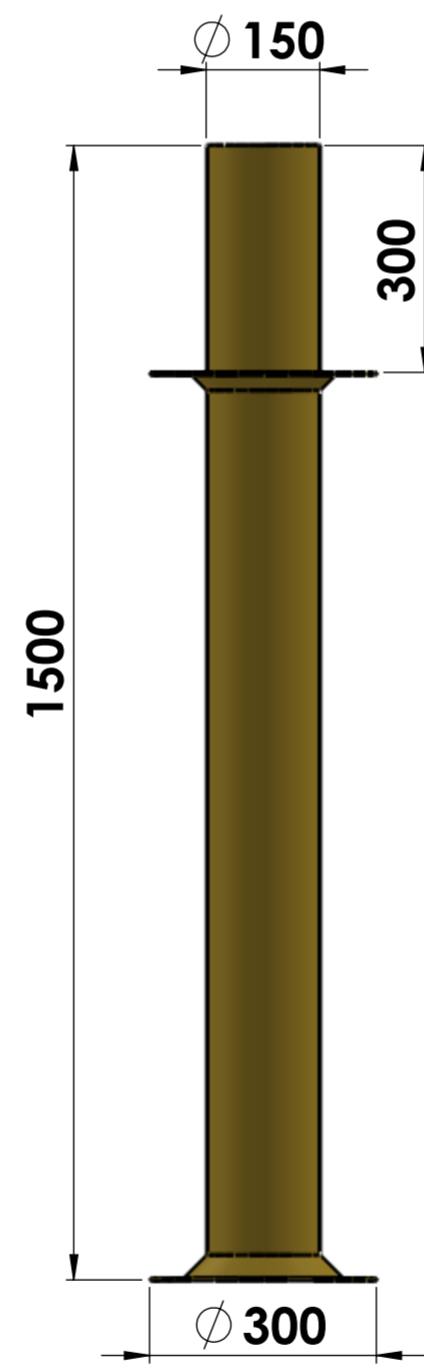
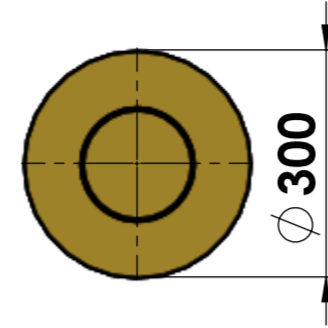
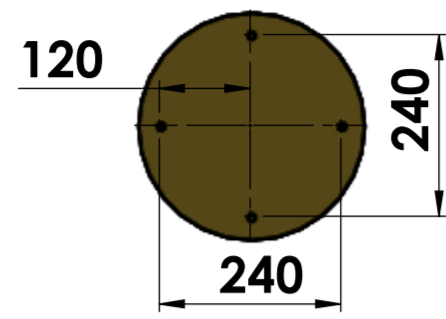
Note:  
1. All dimension in mm.

| <u>Project Title</u>                | <u>Drawing Name</u>  | <u>Scale</u> | <u>Date</u> | <u>Drawing By</u>                     | <u>No.</u> |
|-------------------------------------|----------------------|--------------|-------------|---------------------------------------|------------|
| ABU Asia-Pacific Robot Contest 2023 | Game Field-Side View | 1/35<br>A2   | 2022.07.10  | ABU ROBOCON 2023<br>Contest Committee | 0.4        |



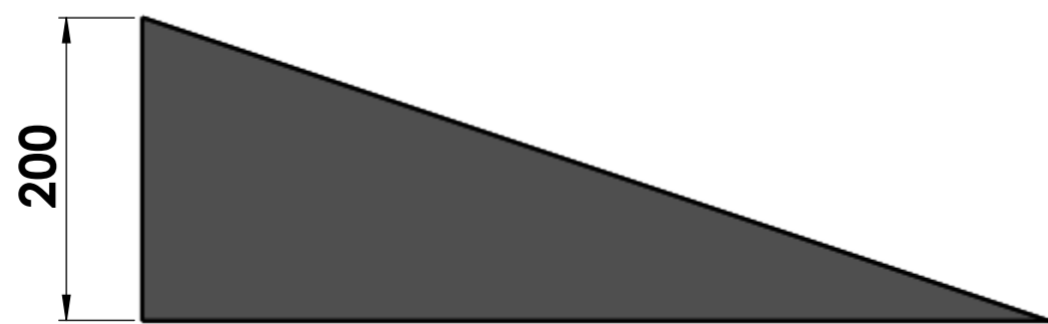
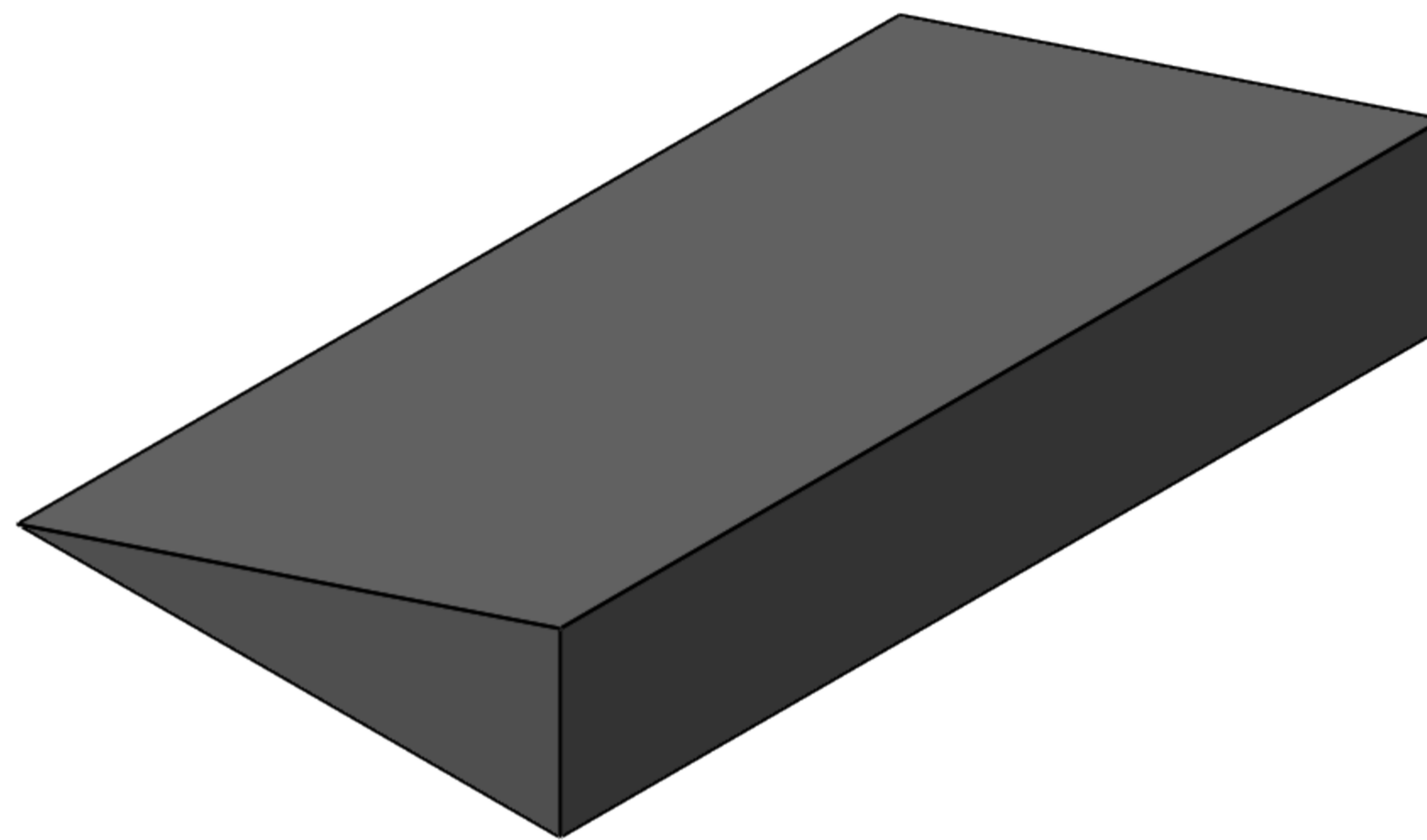
Note:  
 1. All dimension in mm.  
 2. Material- steel tube

| <u>Project Title</u>                | <u>Drawing Name</u>  | <u>Scale</u> | <u>Date</u> | <u>Drawing By</u>                  | <u>No.</u> |
|-------------------------------------|----------------------|--------------|-------------|------------------------------------|------------|
| ABU Asia-Pacific Robot Contest 2023 | Pole Type1 and Type2 | 1/5<br>A2    | 2022.07.10  | ABU ROBOCON 2023 Contest Committee | 0.5        |



Note:  
 1. All dimension in mm.  
 2. Material- steel tube

| <u>Project Title</u>                | <u>Drawing Name</u> | <u>Scale</u> | <u>Date</u> | <u>Drawing By</u>                     | <u>No.</u> |
|-------------------------------------|---------------------|--------------|-------------|---------------------------------------|------------|
| ABU Asia-Pacific Robot Contest 2023 | Pole Type3          | 1/5<br>A2    | 2022.07.10  | ABU ROBOCON 2023<br>Contest Committee | 0.6        |



**Note:**  
 1. All dimension in mm.  
 2. Material - **plywood**

| <u>Project Title</u>                | <u>Drawing Name</u> | <u>Scale</u> | <u>Date</u> | <u>Drawing By</u>                     | <u>No.</u> |
|-------------------------------------|---------------------|--------------|-------------|---------------------------------------|------------|
| ABU Asia-Pacific Robot Contest 2023 | Bridge              | 1/5<br>A2    | 2022.07.10  | ABU ROBOCON 2023<br>Contest Committee | 0.7        |